

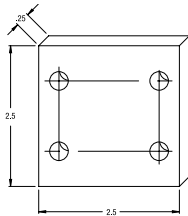
# CLAMPS

## #311 De-Sta-Co® Clamps

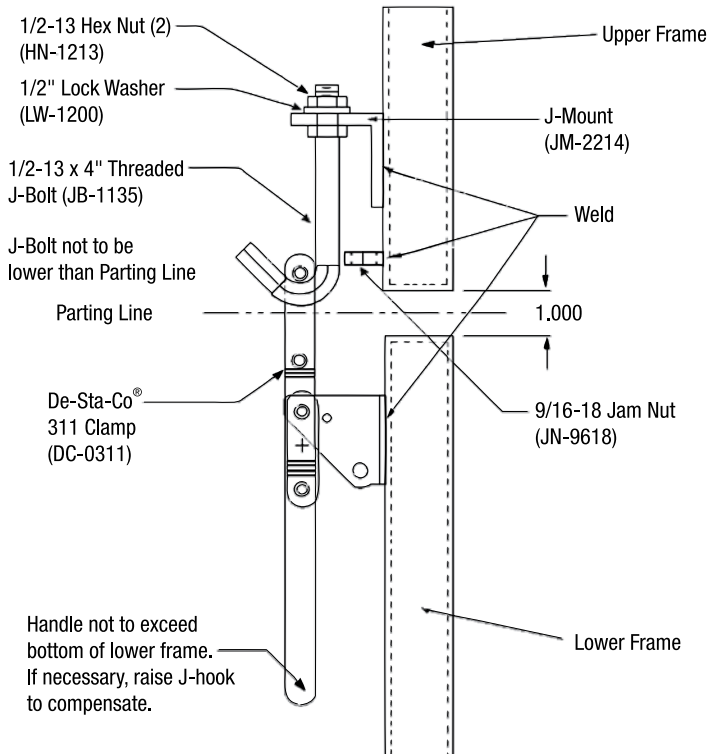
The #311 De-Sta-Co® Clamp provides 1,200 lbs. of holding force. The #311 clamp mounts to the frame using the clamp plate or is welded directly to the lower frame and should be used with 1/2-13 x 4" J-bolts.



DC-0311



CP-0311



### Ordering Information

<b>DCA-311</b>	#311 De-Sta-Co® Clamp Assembly
<b>DC-0311</b>	#311 De-Sta-Co® Clamp
<b>JB-1135</b>	1/2-13 x 4" J-Bolt
<b>JM-2214</b>	J-Mount
<b>JN-9618</b>	9/16-18 Jam Nut (1 required)
<b>HN-1213</b>	1/2-13 Hex Nut (2 required)
<b>LW-1200</b>	1/2" Lock Washer
<b>CP-0311</b>	#311 Clamp Plate

**Note:** Clamp plate can be welded to spider frame.