

BOLTS, RECEIVERS AND STOPS

Get maximum closing pressure.

Bolts, receivers and stops are an alternative method for closing molds. These are used in conjunction with mold springs to achieve maximum closure.



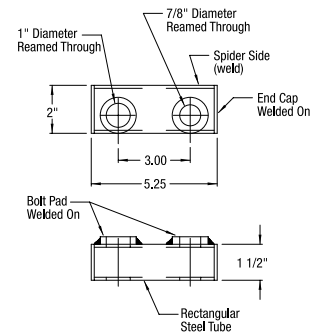
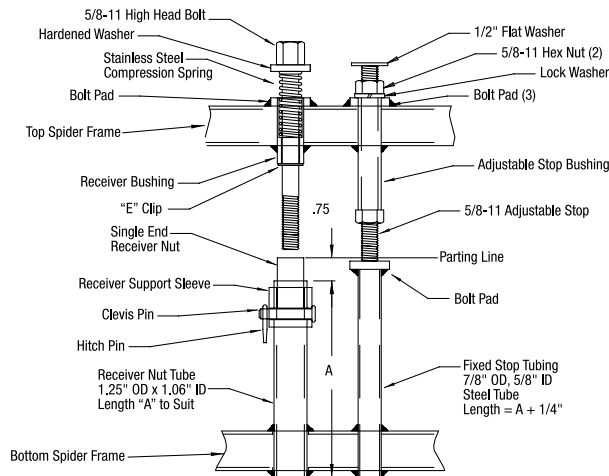
5/8-11 High Head Bolts



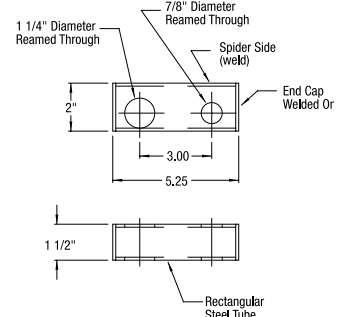
CV-1268 Clevis Pin and HP-2300 Hitch Pin



SE-0001



TOP RECEIVER FRAME



BOTTOM RECEIVER FRAME

Ordering Information

SRA-5807N 7" Stop and Receiver Assembly

SRA-5809N 9" Stop and Receiver Assembly

SRA-5811N 11" Stop and Receiver Assembly

SRA-5813N 13" Stop and Receiver Assembly

Additional Components

SE-0001 Single End Receiver Nut

CV-1268 Clevis Pin

HP-2300 Hitch Pin

SP-5835 SS Compression (Heads-up) Spring

EC-1000 "E" Retainer Clip (special order)

HW-1000 Hardened Washer

JN-5800 5/8-11 Jam Nut (2 required)

Note: Bolts are not notched with groove.