

# DOWELS



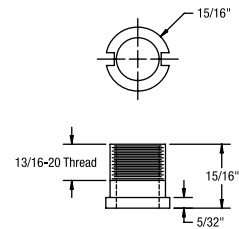
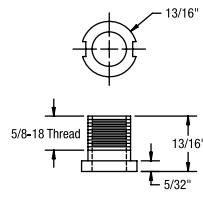
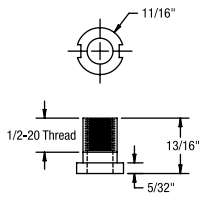
SD-0301

## Protect the registration of parting lines.

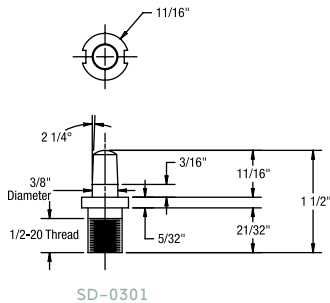
High-quality, time-saving, Sure-Lock® dowels can be used to locate mold halves or other mold pieces, aiding in positive alignment of parting lines. The #3 dowel sets have a 1/2-20 thread on both ends, also available with tapered interface, the #4 dowel sets have a 5/8-18 thread, and the #55 Husky dowel sets have a 13/16-20 thread. They are easy to install with the Sure-Lock® dowel wrench. The short ground pins can be used in areas where a mold piece is hinged.



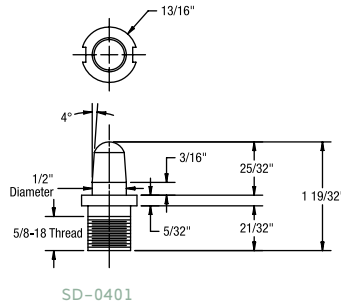
SD-0401



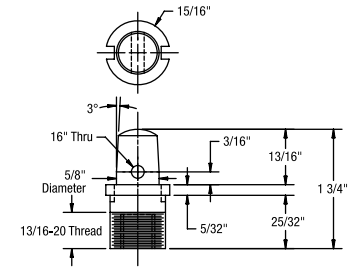
SD-55SD



SD-0301



SD-0401



SD-55SD



SW-0300 and SW-0400



FW-5500

## Ordering Information

<b>SD-0301</b>	#3 Sure-Lock® Dowel Set
<b>SD-1301</b>	#3 Sure-Lock® Short Ground Dowel Set
<b>SD-0401</b>	#4 Sure-Lock® Dowel Set
<b>SD-1401</b>	#4 Sure-Lock® Short Ground Dowel Set
<b>SW-0300</b>	#3 Sure-Lock® Wrench
<b>SW-0400</b>	#4 Sure-Lock® Wrench
<b>SD-55SD</b>	#55 Husky Dowel Set
<b>SD-55SG</b>	#55 Husky Short Ground Dowel Set
<b>SD-5500</b>	#55 Husky Wrench