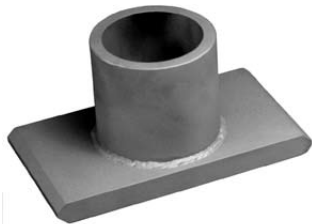


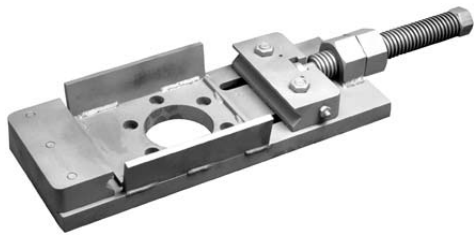
# RAPID MOUNT SYSTEM



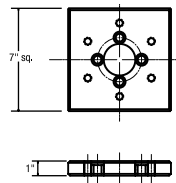
RP-0001

## Quickly change spiders on the machine arm with a single bolt.

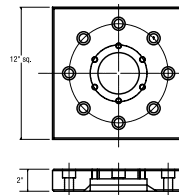
Spiders can be secured to the mounting hub quickly and easily with Lakeland Mold's Rapid Mount System. The rotobase is permanently mounted to the machine arm. The base utilizes a moving jaw to encapsulate a universal mold plate that is welded to the spider. The moving jaw is operated by a single drive bolt.



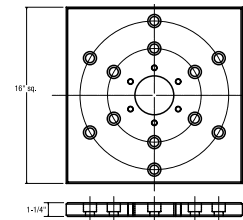
RB-2000



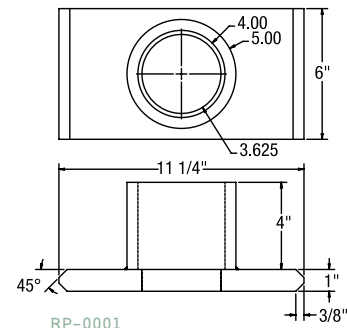
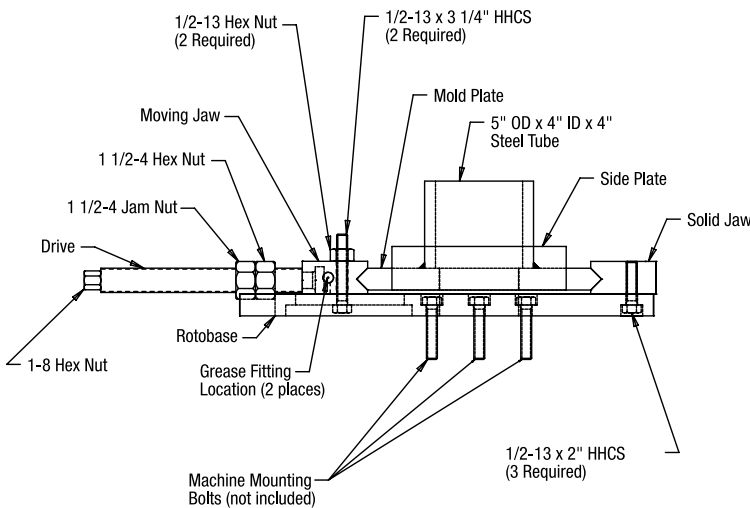
RA-0800



RA-0100



RA-0330



## Ordering Information

<b>RB-2000</b>	Rotobase for RS-220 or 1500 machine (sold without mold plate)
<b>RP-0001</b>	Universal Mold Plate
<b>RA-0800</b>	Adapter Plate for 800 machine (7" sq. x 1")
<b>RA-0330</b>	Adapter Plate for RS-330 machine (16" sq. x 1-1/4")
<b>RA-0100</b>	Adapter Plate for M-80 and M-100 machines (12" sq. x 2")

**Note:** Custom adapter plates are available for other machine sizes within the capacity range of the machines listed above. Please call for pricing based upon machine type and quantity required.