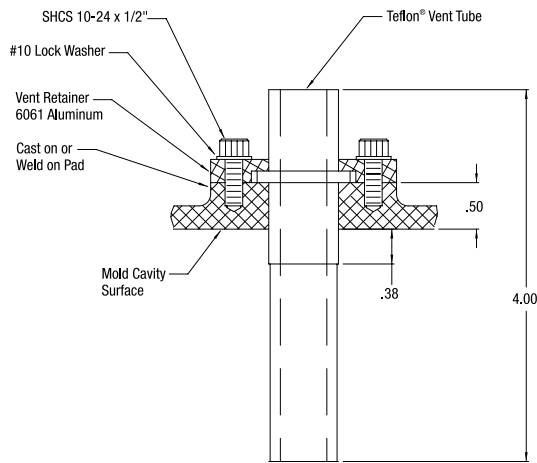


# TEFLON® VENT TUBES



## Stationary Teflon® Vent Tubes

These vent tubes are designed with a .030 step for easy release of product from vent tube, easier operator demolding, and it helps reduce part disfiguration and warpage. Our stationary vent tubes eliminate the problems associated with removable vent tubes since they cannot fall out of the mold during the process cycle. For use in the line of draw, these tubes are easy to install and replace.



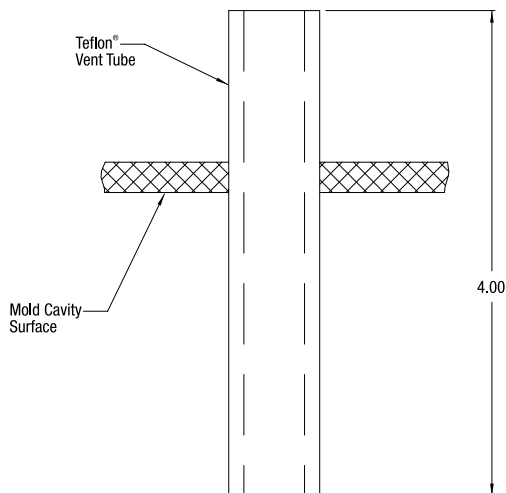
### Ordering Information

<b>SVA-1200</b>	1/2" Diameter Stationary Vent Tube Assembly
<b>SVA-3400</b>	3/4" Diameter Stationary Vent Tube Assembly
<b>SVA-1010</b>	1" Diameter Stationary Vent Tube Assembly
<b>SV-1210</b>	1/2" Diameter Stationary Vent Tube
<b>SV-3410</b>	3/4" Diameter Stationary Vent Tube
<b>SV-1010</b>	1" Diameter Stationary Vent Tube
<b>VR-1220</b>	1/2" Diameter Vent Retainer
<b>VR-3420</b>	3/4" Diameter Vent Retainer
<b>VR-1020</b>	1" Diameter Vent Retainer
<b>SH-1204</b>	SHCS #10-24 x 1/2" (2 required)
<b>LW-1000</b>	#10 SS Lock Washer (2 required)



## Straight Teflon® Vent Tubes

Straight vent tubes are for use against the line of draw, or in any situation where the vent tube must be removed to demold the part. The vent tubes are available pre-cut in 4"-lengths. Teflon® tubing and Teflon® rods are available by the foot.



### Ordering Information

<b>ST-3810</b>	3/8" Diameter Straight Vent Tube
<b>ST-1210</b>	1/2" Diameter Straight Vent Tube
<b>ST-3410</b>	3/4" Diameter Straight Vent Tube
<b>ST-1010</b>	1" Diameter Straight Vent Tube
<b>TT-1200</b>	1/2" OD, 3/8" ID Virgin Teflon® Tubing
<b>TT-3400</b>	3/4" OD, 1/2" ID Virgin Teflon® Tubing
<b>TT-1000</b>	1" OD, 3/4" ID Virgin Teflon® Tubing
<b>TS-0012</b>	1/2" Teflon® Rod
<b>TS-0100</b>	1" Teflon® Rod
<b>TS-0112</b>	1-1/2" Teflon® Rod
<b>TS-0200</b>	2" Teflon® Rod